

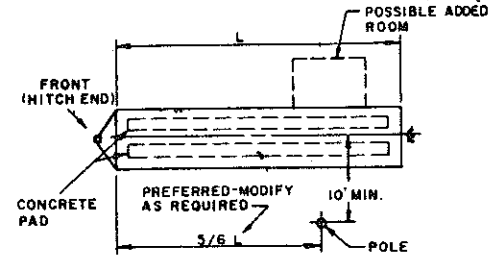
**ISOLATED MOBILE HOME - OVERHEAD
100-200 AMP, 120/240 VOLT, 3 WIRE, SINGLE PHASE.**

PROVIDED & INSTALLED BY NOBLE REMC

- ① 3 CONDUCTOR SERVICE TO CUSTOMERS POLE.

PROVIDED & INSTALLED BY CUSTOMER

- ② INSULATED CLEVIS.
③ METER SOCKET TO BE MOUNTED PLUMB (OPTIONAL BRACKETS). MOUNTING HEIGHT TO BE 5' TO CENTER OF METER.
④ POLE MINIMUM REQUIREMENTS FOR LOCATION. SEE DETAIL & NOTE A.



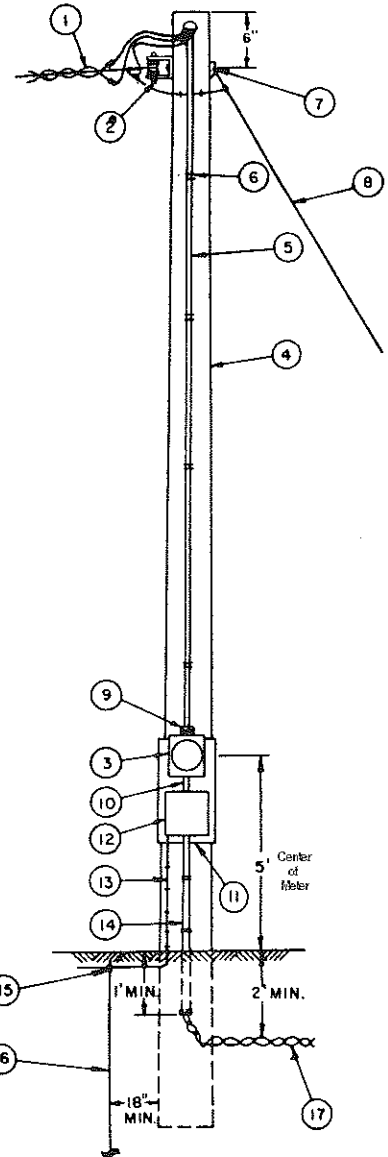
LOCATION OF POLE

LENGTH & CLASS POLE	SETTING DEPTH	TOP CIRCUM	CIRCUM. 6' FROM BUTT. SO PINE
25' CL 7	5.5'	15"	21.5"
30' CL 6	6.0'	17"	25.0"
35' CL 6	6.5'	17"	27.0"

- ⑤ 3 CONDUCTOR SERVICE ENTRANCE CABLE RISER OR CONDUIT WITH WEATHERHEAD N.E.C. TABLE BELOW WITH MIN. SIZES. SEE NOTE C & E.

SERVICE RATING	100A	150A	200A
TYPE	RISER	CONDUCTOR	SIZE
CU	#4	1	2/0
AL (See Note B)	#2	2/0	4/0

- ⑥ CABLE STRAP-SECURE 12" ABOVE METER SOCKET & EVERY 24".
⑦ GUY ATTACHMENT.
⑧ DOWN GUY & ANCHOR WITH 14' MIN. GUY-LEAD & 2500* HOLDING POWER. IF REQUIRED BY REMC.
⑨ WATERTIGHT CABLE CONNECTOR.
⑩ CONDUIT NIPPLE WITH INSULATED BUSHINGS.
⑪ EQUIPMENT MOUNTING BOARD 3/4" MIN. THICKNESS OF SOLID TREATED LUMBER OR USE POLE MOUNTING BRACKETS.
⑫ WEATHERPROOF SERVICE ENTRANCE EQUIPMENT (FUSED SWITCH OR CIRCUIT BREAKER) SIZED SAME AS SWITCH BOX IN MOBILE HOME. CONDUCTOR BETWEEN METER SOCKET AND SERVICE SWITCH SHALL BE SIZED (MIN.) AS ABOVE IN ITEMS #5 TABLE. SEE NOTE C.
⑬ GROUND WIRE #6 BARE COPPER MIN. STAPLED TO POLE. DO NOT ROUTE GROUND WIRE THROUGH METER BASE.
⑭ CONDUIT MAY BE GALVANIZED RIGID STEEL OR PVC SCHEDULE 80 APPROVED FOR USE. STEEL CONDUIT REQUIRES INSULATED BUSHINGS ON BOTH ENDS.
⑮ N.E.C. APPROVED GROUND CLAMP SUITABLE FOR BURIAL.
⑯ 2-N.E.C. APPROVED GROUND RODS (5/8"X8"). ALLOW A MINIMUM OF 6' SEPARATION BETWEEN GROUND RODS.
⑰ MUST BE 4 CONDUCTOR CABLE - 4TH (INSULATED GREEN) CONDUCTOR. FOR MOBILE HOME FRAME GROUND. SEE NOTE D.



NOTES:

- A. NOBLE REMC MUST APPROVE THE LOCATION & POLE HEIGHT SO THE REMC SERVICE WILL HAVE PROPER CLEARANCE PER CURRENT NATIONAL ELECTRIC SAFETY CODE.
B. ALUMINUM ELECTRICAL JOINT COMPOUND SHALL BE APPLIED TO ALL ALUMINUM CONDUCTORS BEFORE CONNECTIONS ARE MADE.
C. THE CUSTOMER MUST FOLLOW THE CURRENT NATIONAL ELECTRIC CODE AND ALL LOCAL CODES.
D. A GROUNDING AS WELL AS A GROUNDED CONDUCTOR MUST BE EXTENDED BETWEEN THE MOBILE HOME AND ITS ADJACENT SERVICE EQUIPMENT. NEITHER THE FRAME OF THE MOBILE HOME NOR THE FRAME OF ANY DISTRIBUTION PANEL OR APPLIANCE MAY BE CONNECTED TO THE NEUTRAL (GROUNDED) CONDUCTOR IN THE MOBILE HOME. THE GROUNDING AND GROUNDED CONDUCTOR ARE BOUNDED TOGETHER ONLY ON THE SUPPLY SIDE OF THE SERVICE DISCONNECTING MEANS. SEE NOTE C.
E. LEAVE 30" MIN. OF 3 CONDUCTORS OUT OF THE WEATHERHEAD TO FORM A DRIP LOOP FOR CONNECTING TO REMC SERVICE. IDENTIFY THE NEUTRAL CONDUCTOR.

Noble REMC
A Touchstone Energy Cooperative
The power of human connections 