

**FARM POLE CENTER
OVERHEAD SERVICE INSTALLATION WITH OPTIONAL TRANSFER
FACILITIES FOR EMERGENCY GENERATION
400 AMP, 120/240 VOLT, 3 WIRE, SINGLE PHASE**

PROVIDED & INSTALLED BY NOBLE REMC

- ① CONDUCTOR SERVICE TO CUSTOMERS POLE.
- ③ METER CONTROL CABLE.
- ④ INSULATED CLEVIS.
- ⑤⑥ METER SOCKET. (COST OF METER BASE IS THE RESPONSIBILITY OF CUSTOMER.)

PROVIDED & INSTALLED BY CUSTOMER

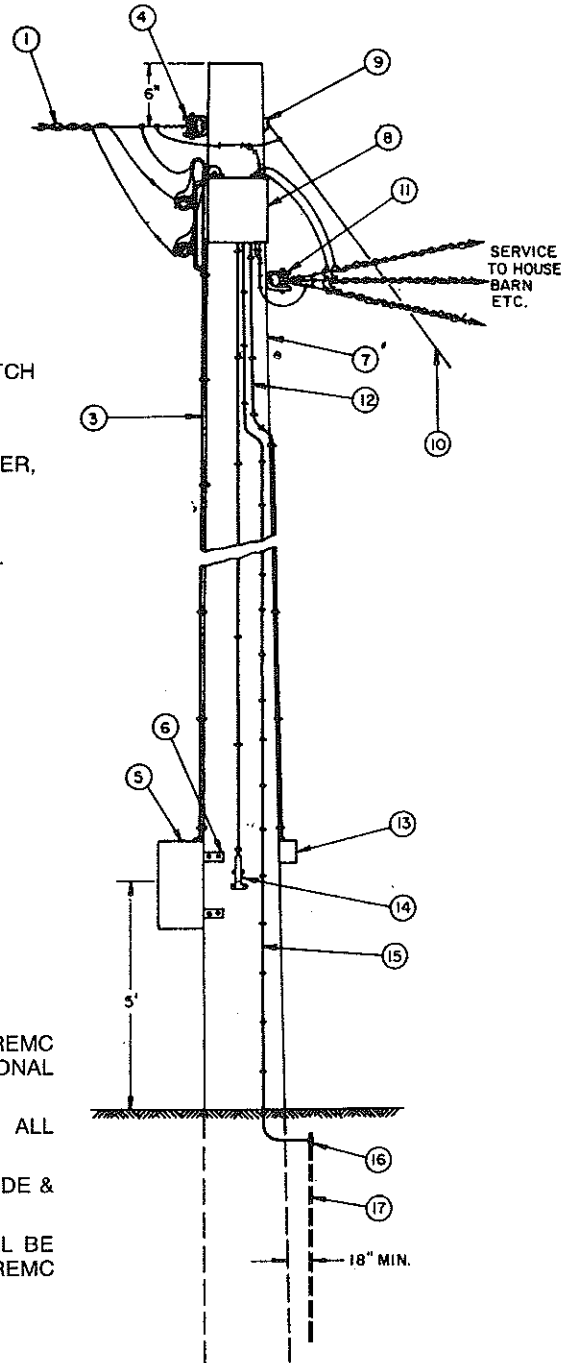
⑦ **POLE MINIMUM REQUIREMENTS: SEE NOTE A**

LENGTH & CLASS POLE	SETTING DEPTH	TOP CIRCUM	CIRCUM. 6' FROM BUTT. SO PINE
25' CL 7	5.5'	15"	21.5"
30' CL 6	6.0'	17"	25.0"
35' CL 6	6.5'	17"	27.0"

- ⑧ FARM POLE, DOUBLE POLE-DOUBLE THROW 400 AMP TRANSFER SWITCH WITH CURRENT TRANSFORMERS. SEE NOTE B, C & D.
- ⑨ GUY ATTACHMENT.
- ⑩ DOWN GUY & ANCHOR WITH 14' MIN. GUY LEAD & 2500 # HOLDING POWER, IF REQUIRED BY NOBLE REMC.
- ⑪ INSULATED CLEVIS.
- ⑫ EMERGENCY LINE-CONDUIT OR SERVICE ENTRANCE CABLE. SEE NOTE C.
- ⑬ CONNECTION BOX FOR EMERGENCY GENERATOR.
- ⑭ REMOTE SWITCH OPERATING HANDLE.
- ⑮ GROUND WIRE #6 BARE COPPER MIN. STAPLED TO POLE.
- ⑯ N.E.C. APPROVED GROUND CLAMP-SUITABLE FOR BURIAL.
- ⑰ 2 N.E.C. APPROVED GROUND RODS (5/8"X8"). ALLOW A MINIMUM SEPARATION OF 6 FEET BETWEEN GROUND RODS.

NOTES:

- A. NOBLE REMC MUST DETERMINE THE LOCATION & POLE HEIGHT SO THE REMC SERVICE WILL HAVE PROPER CLEARANCE PER THE CURRENT NATIONAL ELECTRIC SAFETY CODE.
- B. ALUMINUM ELECTRICAL JOINT COMPOUND SHALL BE APPLIED TO ALL ALUMINUM CONDUCTORS BEFORE CONNECTIONS ARE MADE.
- C. THE CUSTOMER MUST FOLLOW THE CURRENT NATIONAL ELECTRIC CODE & ALL LOCAL CODES.
- D. CUSTOMER WIRE FROM LINE SIDE OF THE TRANSFER SWITCH SHALL BE LONG ENOUGH TO PASS THROUGH THE C.T.'S & TERMINATE WITH THE REMC SERVICE.



Noble REMC
A Touchstone Energy[®] Cooperative 
The power of human connections